

Optimization of Injection Molding Process

M. Stanek, D. Manas, M. Manas and O. Suba

Abstract—Optimization of injection molding process serves for finding ideal conditions during production of plastic parts and observing their dimensions, shapes and properties. It is possible to determine the appropriate injection pressure, velocity, value and time of packing pressure, etc. by optimization. The paper is dealing with description of Moldflow Plastics Xpert (MPX) system and its usage in optimization of injection molding process on real part during its production.

Keywords—Defect, Injection molding, Optimization, Polymer, Process.

I. INTRODUCTION

INJECTION molding represents the most important process for manufacturing plastic parts. It is suitable for mass producing articles, since raw material can be converted into a molding by a single procedure. In most cases finishing operations are not necessary. An important advantage of injection molding is that with it we can make complex geometries in one production step in an automated process. The injection molding technique has to meet the ever increasing demand for a high quality product (in terms of both consumption properties and geometry) that is still economically priced.

This is feasible only if the molder can adequately control the molding process, if the configuration of the part is adapted to the characteristics of the molding material and the respective conversion technique, and a mold is available which satisfies the requirements for reproducible dimensional accuracy and surface quality. Typical injection moldings can be found everywhere in daily life; examples include toys, automotive parts, household articles and consumer electronics goods.

Manuscript received June 29, 2011; Revised version received June 28, 2011. This work was supported in part by the Ministry of Education, Youth and Sports of the Czech Republic under the Research Plan No. MSM 7088352102 and by the European Regional Development Fund under the project CEBIA-Tech No. CZ.1.05/2.1.00/03.0089.

Michal Stanek is with the Tomas Bata University in Zlin, nam. T. G. Masaryka 5555, 76001 Zlin, Czech Republic (phone: +420576035153; fax: +420576035176; e-mail: stanek@ft.utb.cz).

David Manas is with the Tomas Bata University in Zlin, nam. T. G. Masaryka 5555, 76001 Zlin, Czech Republic (e-mail: dmanas@ft.utb.cz).

Miroslav Manas is with the Tomas Bata University in Zlin, nam. T. G. Masaryka 5555, 76001 Zlin, Czech Republic (e-mail: manas@ft.utb.cz).

Oldrich Suba is with the Tomas Bata University in Zlin, nam. T. G. Masaryka 5555, 76001 Zlin, Czech Republic (e-mail: suba@ft.utb.cz).

II. MOLDFLOW PLASTICS XPRT (MPX)

Moldflow Plastics Xpert (MPX) is a software and hardware solution that interfaces directly with injection molding machine controllers on the shop floor. MPX combines process setup, real-time process optimization, and production control according to set process parameters in one system.

MPX is an advanced control solution for the automatic setup, optimization and monitoring of the process window of an injection molding machine. Unlike other control solutions, MPX can utilize the advanced simulation capabilities of Autodesk Moldflow Advisers (AMA) and Autodesk Moldflow Insight (AMI) software to provide an initial process configuration. MPX interfaces directly with the injection molding machine and provides on-line process correction with technology developed exclusively for the plastics injection molding industry. Nowadays, molding machine operators can consistently and systematically set up the process, perform an automated DOE (design of experiments) to determine a robust processing window, and automatically correct the process whether it should be drifted or go out of control during production.

The optimization process consists of three main parts: process setup, process optimization and process control.

Process setup allows users to automate the setup of the injection molding process through a series of velocity and pressure-phase setup routines designed to fix molded part defects systematically. The objective is to achieve a combination of processing parameters which results in one good molded part.

Process optimization easily allows users to run an automated design of experiments (DOE) to determine a robust, “good parts” processing window that will compensate for normal process variation and ensure that acceptable quality parts are produced consistently.

Process control is designed to maintain the optimized processing conditions determined with Process Optimization, resulting in reduced reject rates, higher part quality, and more efficient use of machine time. Process Control can automatically correct the process – either be drifted or go out of control and also can send relay signals to alarm operators or to divert suspect parts.

The optimization process consists of three main parts:

- Process Setup allows users to automate the setup of the injection molding process through a series of velocity and pressure-phase setup routines designed to systematically fix molded part defects.

The objective is to achieve a combination of processing parameters which results in one good molded part.

- Process Optimization easily allows users to run an automated design of experiments (DOE) to determine a robust, “good parts” processing window that will compensate for normal process variation and ensure that acceptable quality parts are produced consistently.
- Process Control is designed to maintain the optimized processing conditions determined with Process Optimization, resulting in reduced reject rates, higher part quality, and more efficient use of machine time. Process Control can automatically correct the process should it drift or go out of control and also can send relay signals to alarm operators or to divert suspect parts.

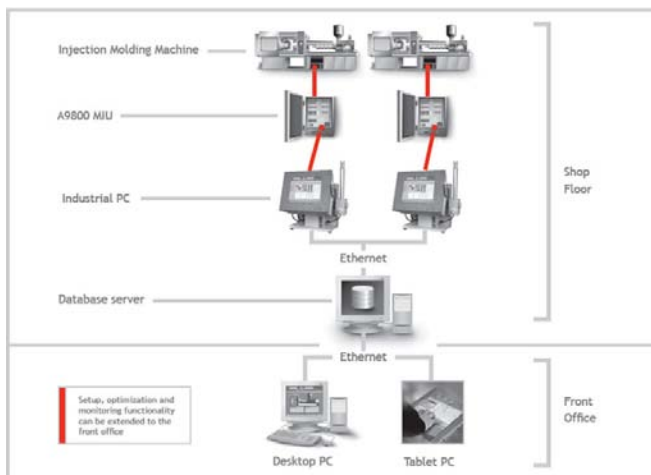


Fig. 1 Scheme of MPX unit connection

A. Process setup (setup wizard)

Setup Wizard automatically calculates initial profiles based on tool or machine related parameters. Tender can choose from three Setup Wizard methods:

- Automated Setup - calculates initial profiles based on the material and the values operator enters for velocity stroke/injection volume, part thickness and mold layout. Operator can also calculate the optimal temperature, screw rotation, and back pressure settings for plastication.
- Assisted Setup - creates initial profiles using the values operator enters for velocity stroke, injection velocity, packing pressure, and cooling time.
- Manual Setup - creates initial profiles using the values you enter for velocity stroke, injection velocity, packing pressure, and cooling time. Velocity stroke, injection velocity and packing pressure must be entered as a percentage of the maximum machine capability.

To use the Setup Wizard, operators need to provide some

initial information on molding parameters or machine parameters, depending on the option their select. The Setup Wizard then calculates an initial velocity and pressure profile based on this information. The Setup Wizard makes initial adjustments to stroke length and cushion size to ensure a full shot and adequate cushion, and then develops a basic, un-optimized profile, which can be further refined with MPX Process Setup. Operators can also calculate the optimal temperature, screw rotation, and back pressure settings for plastication.

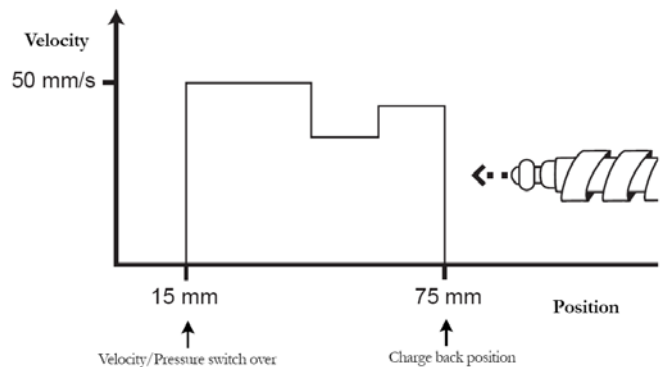


Fig. 2 Velocity profile example

B. Process optimization

The purpose of MPX Process Optimization is to establish a robust processing window that produces acceptable quality parts while minimizing scrap. This is done by carrying out an automated Design of Experiment (DOE) that traditionally took many hours that can now be done in a few minutes.

The MPX Process Optimization DOE produces a series of parts using many different profiles. The amount by which the profiles are altered is determined by producing a number of parts and measuring how the part quality varies with the processing conditions. MPX Process Optimization then moves the profile set points so that they are positioned in the most robust position in the process window. With the tolerance boundaries of the process window known, the profile set points can be modified if they occur outside of those boundaries. This means that the process is better able to handle changes in small variables, such as raw material variability and ambient temperature. Additionally, the process can be monitored so that the specifications for the DOE parameters are maintained.

During production, the processing conditions will vary slightly. With a good set of profiles, these small changes do not affect part quality. MPX Process Optimization uses a Design of Experiment (DOE) to ensure that typical process fluctuations do not affect part quality, by finding a window of processing conditions for which good parts will be produced. A DOE involves using a series of different profiles, which can be derived from MPX Process Setup profiles, or directly from the Profile Wizard. Each profile is changed a small amount.

The operator creates a series of parts with these profiles, and records which of the parts have defects. MPX Process Optimization uses this information to adjust the profiles that were generated by MPX Process Setup, so that the profiles are positioned in the most robust position in the process window (Fig. 3.).

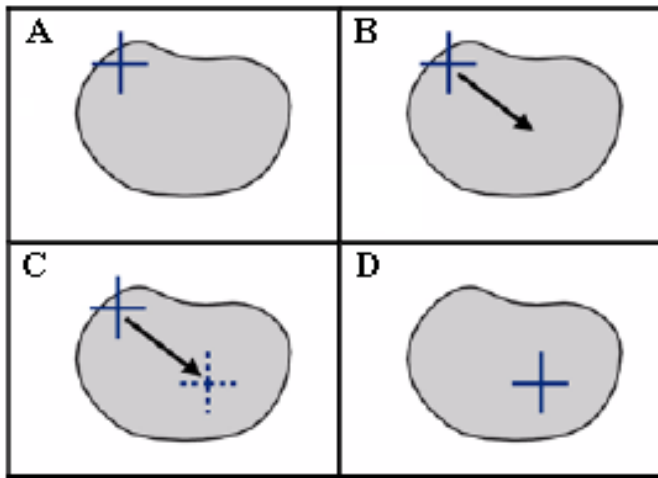


Fig. 3 The process window

There is possible eliminate any combination of visual, dimension, warpage and weight defects using MPX Process Optimization. Different processing conditions are systematically varied, depending on the DOE settings which have been chosen.

C. Process control

MPX Process Control helps to maintain optimal machine operating conditions during production. MPX Process Control graphically monitors variables specific to the injection molding process (Fig. 4.) and automatically determines acceptable quality control limits.

Once a robust set of processing conditions has been established, it is possible to use MPX Process Control to monitor the critical parameters that define the profiles during production. MPX Process Control detects any tendency of the process to drift away from the center of the window. It can then produce a warning with recommendations for corrective action or it can make corrections, depending upon the cause of the drift.

MPX Process Control has two main roles:

- It displays control charts of process parameters, monitoring any changes that occur. Control charts are a great benefit to process engineers, who want to know when and why part quality varies. For example, examination of the control charts may reveal steadily decreasing controller performance, an indicator that maintenance may be due. Alternatively, the material, tool, or environment variation may cause the process change.
- It can also automatically fine tune injection molding machine set points to compensate for any changes in process parameters. This ensures that gradual changes in processing conditions do not lead to bad parts or injection molding machine damage.

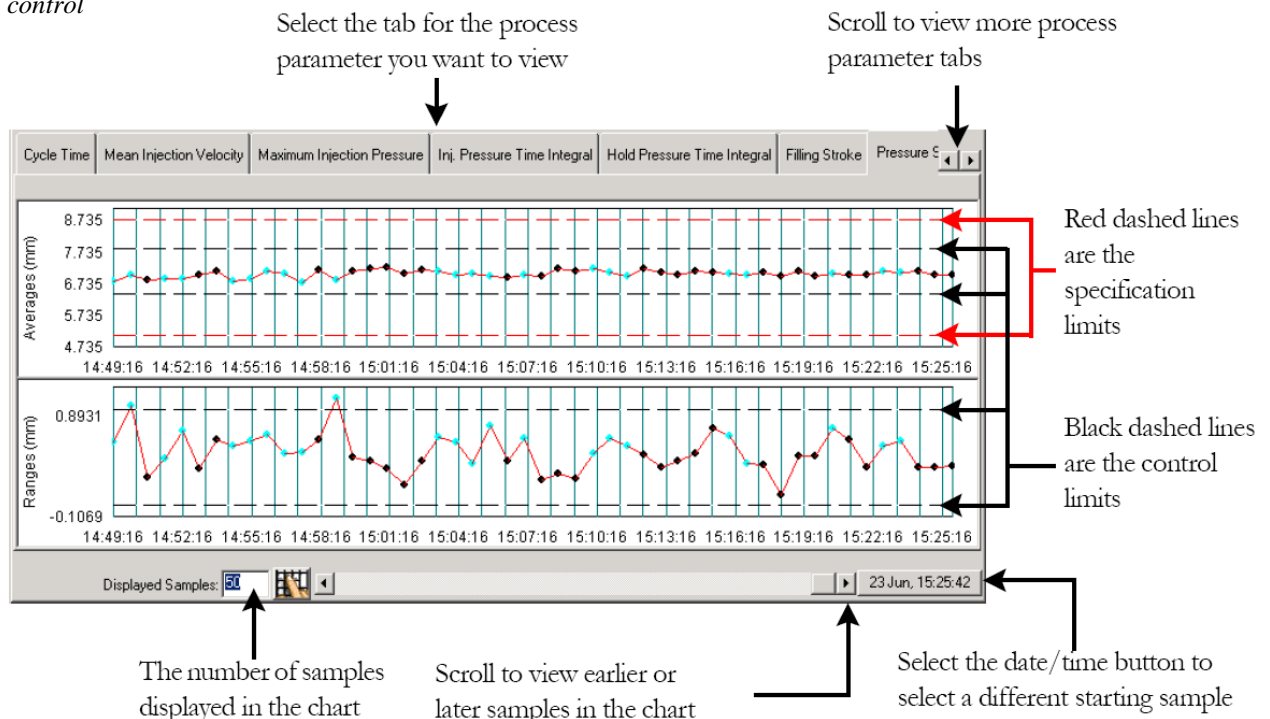


Fig. 4 Viewing the control charts

III. INJECTION MOLDING PROCESS OPTIMIZATION

There will be description of injection molding process optimization procedure in the next chapters. It will be shown on the real chosen part usage MPX software and hardware directly connected to the injection molding machine Arburg Allrounder 420 C Advanced.

A. Injection molded part – square piece

The one-cavity injection mold with the cam pins was used for production of the molded part (square piece – Fig. 5.). The square piece is a part of the car assembly and it was used for fixing other parts in this car. The material of the product is copolymer PC+ABS and its properties are described in Table 1.

Tab. 1 Properties of injected material (PC+ABS)

Basic properties	Melt density	985,8 kg/m ³
	Solid density	1116,1 kg/m ³
	Specific heat	1872 J/kg.K
	Elastical modulus	2780 MPa
	Melt flow index	6,3 g/10min
	Shrinkage	0,50 %
	Structure	amorphous
Recommended processing	Mold temperature	70°C
	Melt temperature	260°C
	Ejection temperature	142°C



Fig. 5 Injection molded part – square piece

B. Process settings taken from MPI analysis

Injection molding process of the square piece has been analyzed in Autodesk Moldflow Insight (AMI) software. The values (some of them are on Fig. 6, Fig. 7, Fig. 8, Fig. 9.) taken from this analysis has been used for comparison with optimized values and for upload to MPX software for next part of process optimization.

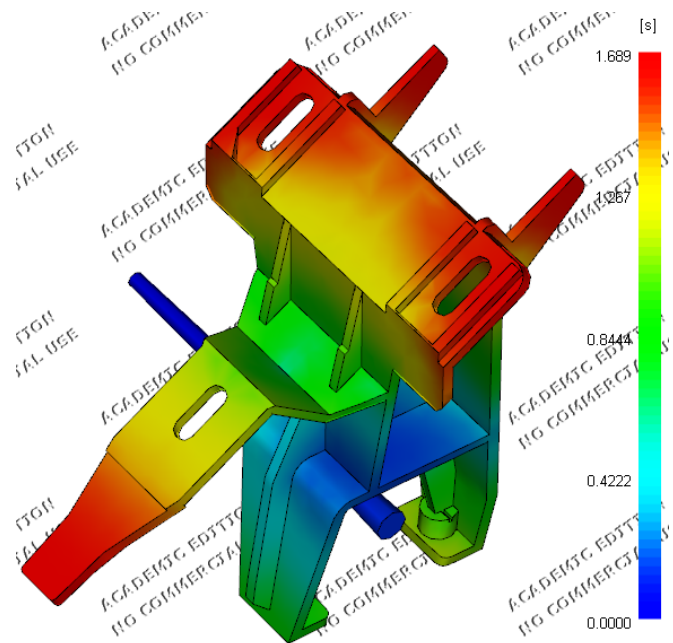


Fig. 6 Fill time – 1,689s

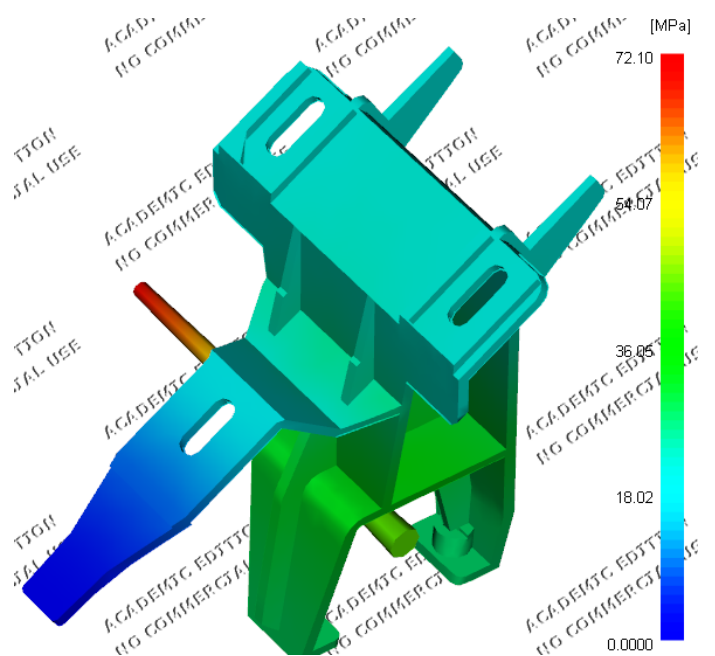


Fig. 7 Pressure at end of fill – 72,10 MPa

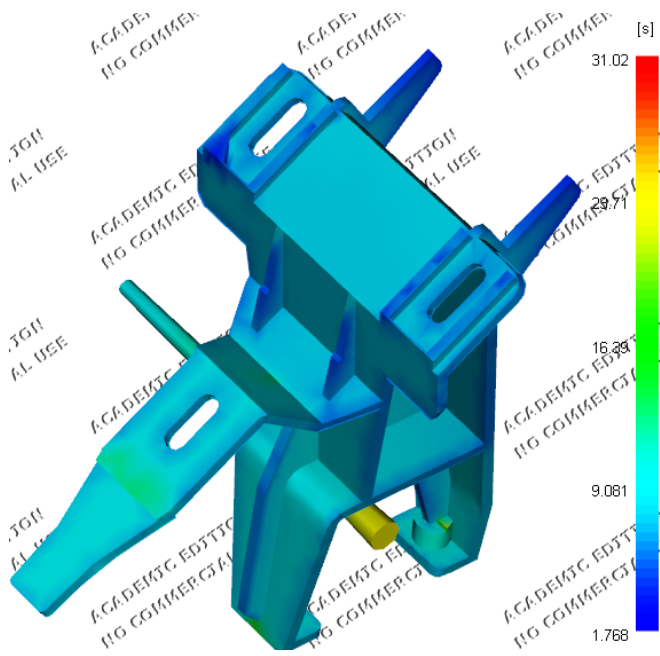


Fig. 8 Cooling time – 31,02s

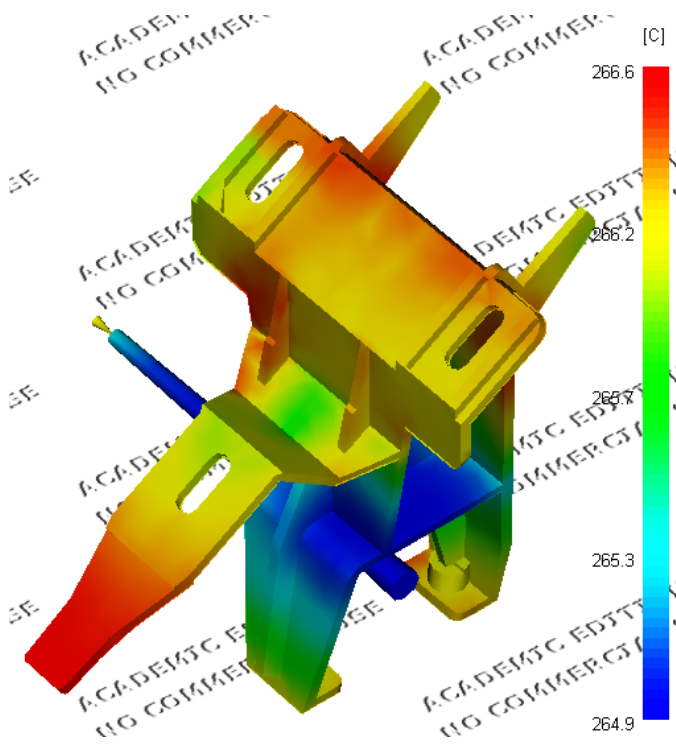


Fig. 9 Temperature at flow front – 266,6°C

C. Optimization of injection molding process

Cooling of the injection mold has been made by circulating water with temperature 50°C. Temperatures of the heating zones are described in Table 2.

Tab. 2 Temperatures of heating zones

Heating Zone	Feed	Transition	Metering	Nozzle
Temperature [°C]	235	250	255	265

D. Automated setup

Tab. 3 Automated setup - results

	Initial Profile	Final Profile	Difference
Velocity [mm/s]	50	19	
Displacement (start - end) [mm]	12,5 - 62,5	19,3 - 62,5	
Pressure [bar]	50	649	
Fill Time [s]	1,00	2,26	1,26
Packing Pressure Time [s]	8,57	8	-0,57
Cooling Time [s]	20	7,75	-12,25
Total Time [s]	29,57	18,01	-11,56

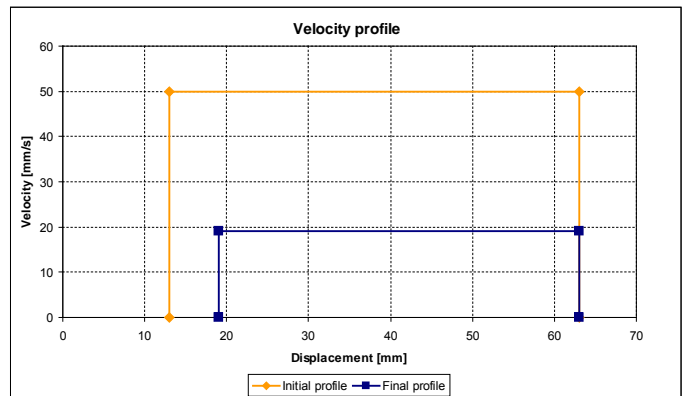


Fig. 10 Velocity profile – automated setup

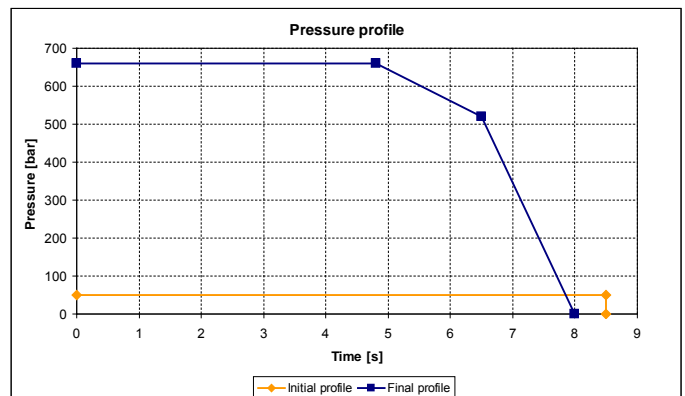


Fig. 11 Pressure profile – automated setup

E. Assisted setup

Tab. 4 Assisted setup - results

	Initial Profile	Final Profile	Difference
Velocity [mm/s]	50	75	
Displacement (start - end) [mm]	12,5 - 62,5	20,5 - 62,5	
Pressure [bar]	500	677	
Fill Time [s]	1,00	0,60	-0,40
Packing Pressure Time [s]	6,43	8,42	1,99
Cooling Time [s]	15	8,06	-6,94
Total Time [s]	22,43	17,08	-5,35

F. Manual setup

Tab. 5 Manual setup - results

	Initial Profile	Final Profile	Difference
Velocity [mm/s]	67	68	
Displacement (start - end) [mm]	10,9 - 54,4	18,8 - 54,4	
Pressure [bar]	1060	721	
Fill Time [s]	0,65	0,52	-0,13
Packing Pressure Time [s]	6,43	8,4	1,97
Cooling Time [s]	15	8,15	-6,85
Total Time [s]	22,08	17,07	-5,01

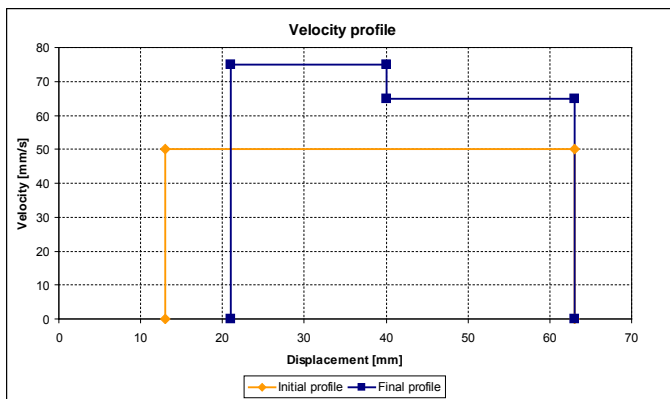


Fig. 12 Velocity profile – assisted setup

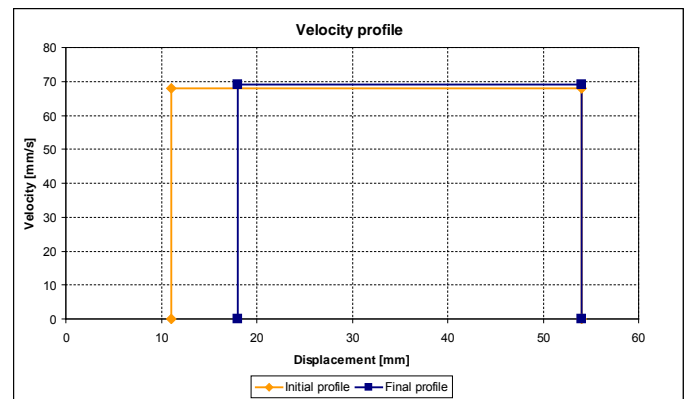


Fig. 14 Velocity profile – manual setup

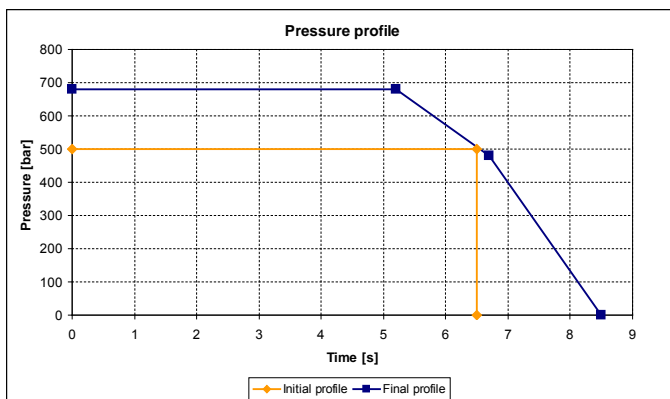


Fig. 13 Pressure profile – assisted setup

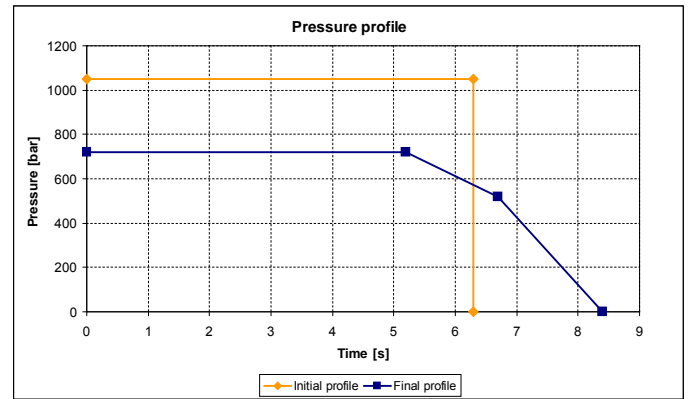


Fig. 15 Pressure profile – manual setup

G. Data from AMI analysis

Tab. 6 Data from AMI analysis – results

	Initial Profile	Final Profile	Difference
Velocity [mm/s]	20	23	
Displacement (start - end) [mm]	7,7 - 38,3	14,1 - 56	
Pressure [bar]	505	444	
Fill Time [s]	1,57	1,81	0,24
Packing Pressure Time [s]	6,12	9,18	3,06
Cooling Time [s]	19,38	8,43	-10,95
Total Time [s]	27,07	19,42	-7,65

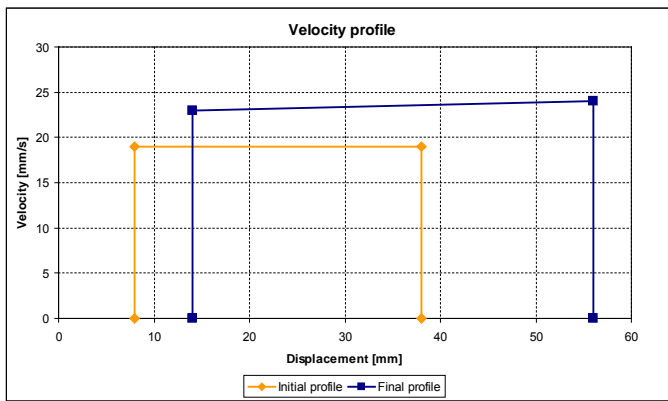


Fig. 16 Velocity profile – data from AMI analysis

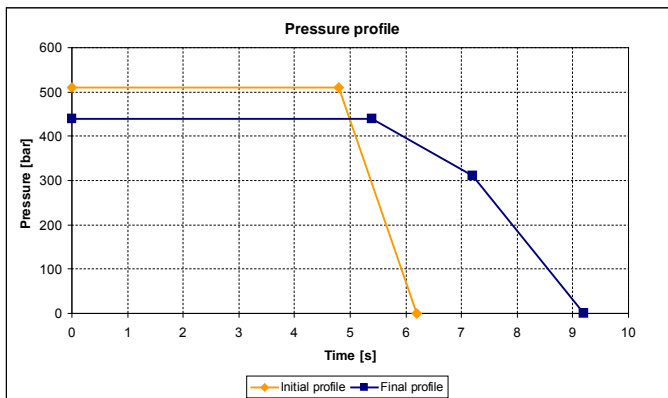


Fig. 17 Pressure profile – data from AMI analysis

H. Example of injection molding process optimization by design of experiments (DOE)

Tab. 7 Values obtained during assisted setup optimization

	Process Settings	DOE 1	DOE 2	DOE 3
Velocity [mm/s]	75,12; 65,32	77,47; 67,36	73,78; 64,15	71,44; 62,53
Displacement (Start - End) [mm]	20,47 - 62,5	21,36 - 62,5	22,31 - 62,5	21,70 - 62,5
Pressure [bar]	677	670	670	672

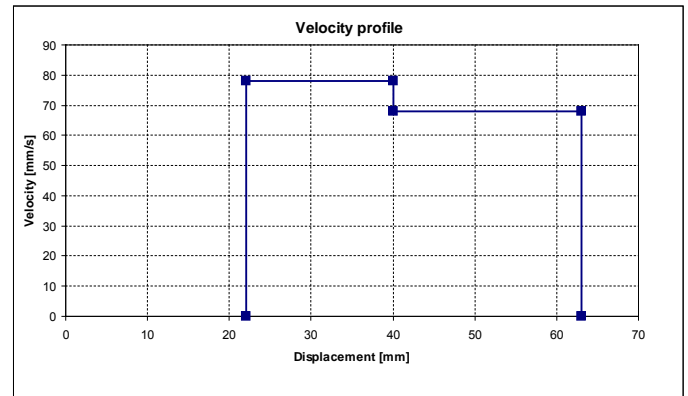


Fig. 18 Velocity profile for DOE 1

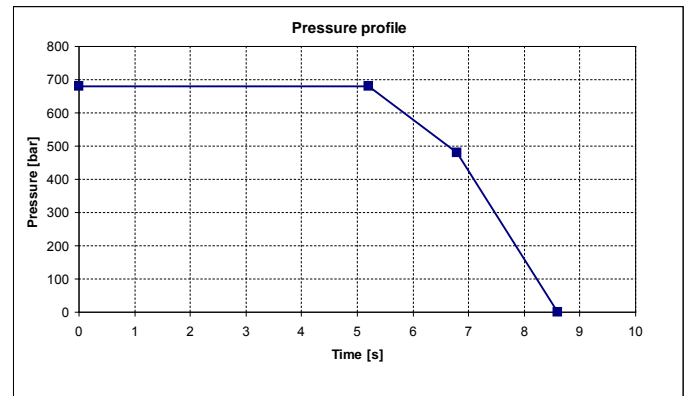


Fig. 19 Pressure profile for DOE 1

Tab. 8 Data from AMI analysis – results

Part No.	Packing Pressure [Bar]	Velocity [mm/s]	Displacement [mm]
1	663,06	68,57	39,71
2	663,06	68,57	42,58
3	663,06	75,43	39,71
4	663,06	75,43	42,58
5	676,46	68,57	39,71
6	676,46	68,57	42,58
7	676,46	75,43	39,71
8	676,46	75,43	42,58

The changes of velocity and pressure profile (one is initial profile, other is changed profile) for each cycle of production are record in dialog box as is shown in figure 20.

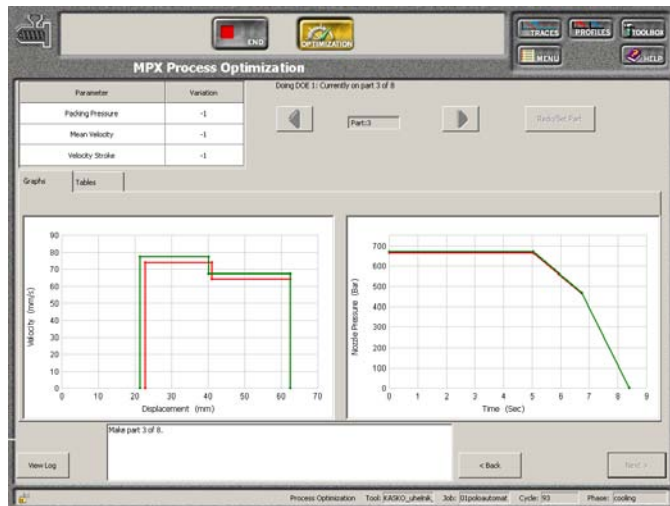


Fig. 20 Difference between profiles during optimization

Optimization of injection molding process with usage design of experiments is suitable for difficult and complicated parts because of multiple defects appearance. It is more difficult to find optimum in manual setup in this case.

I. Some defects on square piece appeared during optimization



Fig. 21 Defects on part – flashes

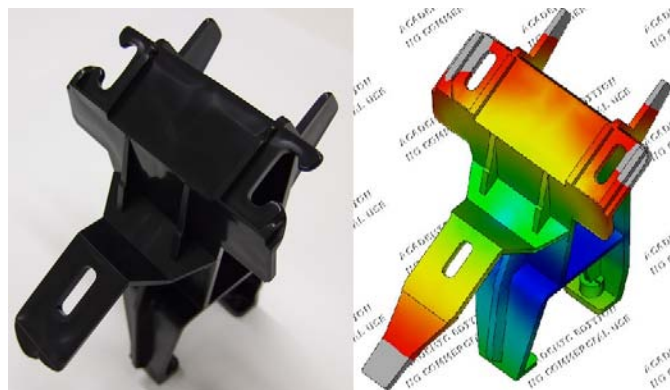


Fig. 22 Defects on part – short shots (left: real part, right: simulation)



Fig. 23 Defects on part – hesitation marks



Fig. 24 Defects on part – sin marks



Fig. 25 Defects on part – color streak marks

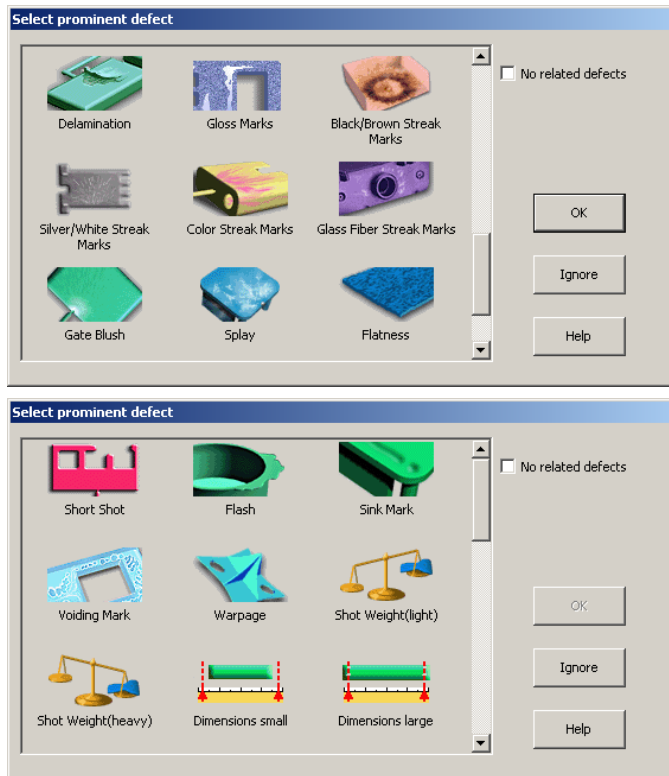


Fig. 26 Menu for defects selection

Tab.9. Summary of process parameters

Process setting	Automated Setup	Assisted Setup	Manual Setup	Data from AMI
Velocity [mm/s]	19	75	68	23
Displacement (start - end) [mm]	19,3 - 62,5	20,5 - 62,5	18,8 - 54,4	14,1 - 56
Pressure [bar]	649	677	721	444
Fill Time [s]	2,26	0,60	0,52	1,81
Packing Pressure Time [s]	8	8,42	8,4	9,18
Cooling Time [s]	7,75	8,06	8,15	8,43
Total Time [s]	18,01	17,08	17,07	19,42

IV. CONCLUSION

This work deals with optimization of injecting cycle and using software MPX. The MPX system enables very effective optimization of the injecting process and ensures optimum process parameters leading to eliminating possible product defects. The aim of optimization is not only correct process conditions setting and eliminating all defects made during production, but also minimizing the total time of the injecting

cycle which has a great economical impact.

ACKNOWLEDGMENT

This article is financially supported by the Ministry of Education, Youth and Sports of the Czech Republic under the Research Plan No. MSM 7088352102 and by the European Regional Development Fund under the project CEBIA-Tech No. CZ.1.05/2.1.00/03.0089.

REFERENCES

- [1] Stanek, M., Manas, M., Manas, D., Sanda, S., "Influence of Surface Roughness on Fluidity of Thermoplastics Materials", *Chemické listy*, Volume 103, 2009, pp.91-95
- [2] Manas, D., Stanek, M., Manas, M., Pata V., Javorik, J., "Influence of Mechanical Properties on Wear of Heavily Stressed Rubber Parts", *KGK – Kautschuk Gummi Kunststoffe*, 62. Jahrgang, 2009, p.240-245
- [3] Stanek, M., Manas, M., Manas, D., Sanda, S., "Influence of Surface Roughness on Fluidity of Thermoplastics Materials", *Chemické listy*, Volume 103, 2009, p.91-95
- [4] Stanek, M., Manas, M., Manas, D., "Mold Cavity Roughness vs. Flow of Polymer", *Novel Trends in Rheology III*, AIP, 2009, pp.75-85
- [5] J. Javorik, M. Stanek, "The Numerical Simulation of the Rubber Diaphragm Behavior," in *Proc. 13th WSEAS International Conference on Automatic Control, Modelling & Simulation*, Lanzarote, Spain, 2011, pp. 117-120.
- [6] J. Javorik, D. Manas, "The Specimen Optimization for the Equibiaxial Test of Elastomers," in *Proc. 13th WSEAS International Conference on Automatic Control, Modelling & Simulation*, Lanzarote, Spain, 2011, pp. 121-124.
- [7] J. Javorik, Z. Dvorak, "Equibiaxial test of elastomers," *KGK – Kautschuk Gummi Kunststoffe*, issue 11, vol. 60, 2007, pp. 608-610.
- [8] Z. Holik, M. Danek, M. Manas, J. Cerny, "The Influence of Cross-linking Agent on Mechanical Properties of Polyamide Modified by Irradiation Cross-linking", in *Proc. 13th WSEAS International Conference on Automatic Control, Modelling & Simulation*, Lanzarote, Spain, 2011, pp.222-225.
- [9] Z. Holik, K. Kyas, M. Krupal, J. Cerny, M. Danek, "Improvement of Polypropylene Properties", *21st International DAAAM Symposium*, 2010, Zadar, Croatia, pp. 1191-1192.
- [10] H. Charvatova, D. Janacova, K. Kolomaznik, "Non-Stationary Temperature Field in a Plane Plate for Symmetric and Asymmetric Problem", in *Proc. 13th WSEAS International Conference on Automatic Control, Modelling & Simulation*, Lanzarote, Canary Islands 2011.
- [11] D. Janacova, H. Charvatova, K. Kolomaznik, V. Vasek, P. Mokrejs, "Solving of Non-Stationary Heat Transfer in a Plane Plate", in *Proc. 13th WSEAS International Conference on Automatic Control, Modelling & Simulation*, Lanzarote, Canary Islands 2011
- [12] D. Janacova, H. Charvatova, V. Vasek, K. Kolomaznik, P. Mokrejs, "Modeling of non-stationary heat field in a plane plate for assymmetric problem", in *14th WSEAS International Conference on Systems. Latest Trands on Systems*, Volume II, Rhodos, 2010.
- [13] M. Stanek, D. Manas, M. Manas, J. Javorik, "Simulation of Injection Molding Process," in *Proc. 13th WSEAS International Conference on Automatic Control, Modelling & Simulation*, p.231-234.
- [14] M. Stanek, D. Manas, M. Manas, O. Suba, "Optimization of Injection Molding Process by MPX," in *Proc. 13th WSEAS International Conference on Automatic Control, Modelling & Simulation*, p.212-216.
- [15] M. Manas, M. Stanek, D. Manas, M. Danek, Z. Holik, "Modification of polyamides properties by irradiation", *Chemické listy*, Volume 103, 2009, p.24-26.
- [16] D. Manas, M. Manas, M. Stanek, M. Zaludek, S. Sanda, J. Javorik, V. Pata, "Wear of Multipurpose Tire Treads" *Chemické listy*, Volume 103, 2009, p.72-74.
- [17] S. Sanda, M. Manas, M. Stanek, D. Manas, L. "Rozkosny, Injection Mold Cooling System by DMLS", *Chemické listy*, Volume 103, 2009, p.140-142.
- [18] M. Stanek, M. Manas, T. Drga, D. Manas, "Testing Injection Molds for Polymer Fluidity Evaluation", *17th DAAAM*, Vienna, Austria, 2006, p.397-398.