

# Analyze in an MC-CDMA System Combining with Linear Diversities over Small-Scale Fading Channels

\*Joy Iong-zong Chen, Chieh-Wen Liou

**Abstract**—An error rate probability closed-form of an MC-CDMA (multi-carrier coded-division multiple-access) system combining with linear diversity, such as EGC (equal gain combining) or MRC (maximal ratio combining) diversity working in the situations of either dependent or independent branches, that are correlated or uncorrelated sub-channels, over small scale fading are investigated in this paper. There is a sum of Nakagami- $m$  variates (envelope intensity) is adopted as the model which characterizes the fading and to derive the closed-form solution with arbitrarily correlated channels. In order to avoid the difficulty of explicitly calculating the pdf (probability density function), for example, looking for the CF (characteristic functions), for the SNR (signal-to-noise ratio) at the MRC or EGC output, the analytical results of the new derived BER (bit error rate) formulas are validated by an example of the intensive Monte Carlo computer simulation in which a dual correlated branch is considered for an MC-CDMA system with many relative system parameters.

**Keywords**—Dependent sub-channels, EGC diversity, Nakagami- $m$  fading, MC-CDMA system, MRC diversity.

## I. INTRODUCTION

Recently, due to the speed of the revolution for the wireless communications is so speed that the MC-CDMA (multi-carrier coded-division multiple-access) appears to be a considerable candidate for future mobile radio communication systems. In the wireless communication systems, the propagation channel will exhibit substantially multipath fading behavior. Whenever one desires to compensate the losses in multipath fading, the diversity-combining technique is one of the effective methods.

It is well known that the MC-CDMA system with MRC (maximal ratio combining) receiver is an effective method for combating multipath fading over a frequency selective fading channels [1-3]. However, the EGC (equal gain combining) is much simpler in system configuration.

Manuscript received April 15, 2009; Revised version received May 30, 2009. Joy I.-Z. Chen Author is with the Department of Communication Engineering Dayeh University (phone: 886-48-511-888; fax: 886-48-511-245; e-mail: jchen@mail.dyu.edu.tw).

C.-W. Liou Author is with the Department of Communication Engineering Dayeh University (e-mail: wen5112@yahoo.com.tw/)

fading channels was studied in [4-6]. The results presented in [6] are for uplink channel using MRC with the assumed frequency offset condition in correlated fading. The performance of MC-CDMA in non-independent Rayleigh fading was studied in [7]. In [8] the method of CF (characteristic function) and residue theorem are applied to calculate the performance of downlink MC-CDMA systems. Both the effects of envelopes and phases correlation are considered in [9], in which the authors evaluate the performance of a MC-CDMA system operates in Rayleigh fading channel. In the literature of [10] assumed that the transmission channel is working over Nakagami- $m$  fading channel, and the postdetection of EGC was considered illustrated the error probability of MC-CDMA systems. The research [11] analyzed the performance of the MC-DS-CDMA and considered the correlation phenomena presents in the fading of the various subcarriers. Recently, the publication [12] evaluated the system performance of MC-DS-CDMA system accompany with PBI (partial band interference) working in Nakagami- $m$  fading channels. In [13] claimed for obtaining a simple approximate average BER expression for MC-CDMA systems working in correlated-Nakagami- $m$  fading. On the other hand, the error probability of interleaved MC-CDMA systems with MRC receiver operating in correlated Nakagami- $m$  fading channels was published in [14].

In this paper based on the motivation claimed-above we aim on obtaining the much simpler expression of the generic BER performance of MC-CDMA system with MRC or EGC schemes working in both uncorrelated and correlated fading environments. The results show up that how the factors of channel correlation do affect the performance of MC-CDMA systems.

## II. TRANSMITTER AND CHANNEL MODELS

The signature sequence chip with a spreading code of length  $L$  is used to BPSK (binary phase shift keying) modulated each of the  $N$  subscribers of the  $k$ -th user. Where the subcarrier has frequency  $C/T_b$  Hz, and where  $C$  is an integer number [4, 5], as shown in Fig. 1. The technical described above is same as the

performance of OFDM on a direct sequence spread-spectrum signal when assume  $C=1$ . The larger values of  $C$ , the more transmitting bandwidth needed. The transmitted signal,  $S_k(t)$ , of the  $k$ -th user for the resulting transmitted baseband signal corresponding to the  $M$  data bit size can be expressed as

$$S_k(t) = \sqrt{\frac{2P}{N}} \sum_{m'=0}^{M-1} \sum_{n=0}^{N-1} a_k[n] b_k[m'] P_{T_b}(t) \text{Re}[e^{j\omega_n t}] \quad (1)$$

where both  $a_k[n]$  and  $b_k[m']$  belong to  $\{-1, 1\}$ ,  $P$  is the power of data bit,  $M$  denotes the number of data bit,  $N$  expresses the number of subcarriers, the sequences  $a_k[0], \dots, a_k[N-1]$  and  $b_k[0], \dots, b_k[M-1]$  represent the signature sequence and the data bit of the  $k$ -th user, respectively. The  $P_{T_b}(t)$  is defined as an unit amplitude pulse that is non-zero in the interval of  $[0, T_b]$ , and  $\text{Re}[\cdot]$  denotes the real part of a complex number,  $\omega_n = 2\pi(f_c + nC/T_b)$  is the angular frequency of the  $n$ -th subcarrier, where  $f_c$  indicates the carrier frequency,  $T_b$  is symbol duration.

The channel of interest has the transfer function of the continuous-time fading channel assumed for the  $k$ -th user can be represented as

$$H_k[f_c + n \frac{C}{T_b}] = \beta_{k,n} (\cos \theta_{k,n} + j \sin \theta_{k,n}) \quad (2)$$

where  $\beta_{k,n}$  and  $\theta_{k,n}$  are the random amplitude and phase of the channel of the  $k$ -th user at frequency  $f_c + n(C/T_b)$ . In order to follow the real world case, the random amplitude,  $\beta_{k,n}$  are assumed to be a set of  $N$  correlated identically distributed in one of our scenarios.

### III. MC-CDMA RECEIVER MODELS

With  $K$  active transmitters, the received signal  $r(t)$  can be written as

$$r(t) = \sqrt{\frac{2P}{N}} \sum_{k=0}^{K-1} \sum_{m'=0}^{M-1} \sum_{n=0}^{N-1} \beta_{m',n} a_k[n] b_k[m'] \times P_{T_b}(t - m'T_b - \tau_k) \cos(\omega_n t + \theta_{m',n}) + n(t) \quad (3)$$

where  $n(t)$  is the AWGN (additive white Gaussian noise) with a double-sided power spectral density of  $N_0/2$ . Assuming that acquisition has been accomplished for the user of interesting ( $k=0$ ). For the reason of using coherent diversities, it is assumed that perfect phase correction can be obtained, i.e.,  $\theta_{0,n} = \theta_{0,n}$ , as shown in Fig. 2. With all the assumptions for MRC or EGC combining the decision variable  $D_0$  of the  $l$ -th data bit for the reference user is given by

$$D_0 = \frac{1}{T_b} \int_{T_b}^{(l+1)T_b} r(t) \times \sum_{n=0}^{N-1} a_0[n] \cdot d_{0,n} \text{Re}[e^{j(\omega_n t + \theta_{0,n})}] dt = U_S + I_{MAI} + \eta_0 \quad (4)$$

where  $r(t)$  is the received signal shown in (3),  $d_{0,n}$  is the gain factor for MRC diversity and  $d_{0,n} = 1$  for EGC diversity, and  $U_S$  represents the desired signal, which can be expressed as with  $U_S^{MRC}$  for MRC diversity, and with  $U_S^{EGC}$  for EGC diversity, respectively, yields as

$$U_S^{MRC} = \sqrt{\frac{P}{2N}} \sum_{n=0}^{N-1} \beta_{0,n}^2 \cdot b_0[m'] \quad (5)$$

$$U_S^{EGC} = \sqrt{\frac{P}{2N}} \sum_{n=0}^{N-1} \beta_{0,n} \cdot b_0[m'] \quad (6)$$

, and the second term,  $I_{MAI}$ , in (4) represents the MAI (multiple access interference), which are identity for whichever the MRC or EGC reception is employed, and it is contributed from all other users within the same cell, can be written as

$$I_{MAI} = \sqrt{\frac{P}{2N}} \cdot \sum_{k=1}^{K-1} \sum_{n=0}^{N-1} a_k[n] \cdot b_k[m'] \times a_0[n] \cdot \beta_{k,n} \cdot \beta_{0,n} \cos(\theta'_k) \quad (7)$$

where  $\theta'_k = \theta_0 - \theta_k$  and  $\theta_k$  are *i. i. d.* (identically independent distributed) uniformly distributed over  $[0, 2\pi)$ ,  $\eta_0$  is the AWGN term. There are two cases of propagating channels, that is, uncorrelated and correlated Nakagami- $m$  channels considered for comparison reason, though we are interested in diversity reception for the MC-CDMA system. The identity fading severities are considered for all of the channels, namely  $m_i = m_j = m$ , for  $i \neq j$ ,  $i, j = 0, \dots, N-1$ . The pdf of fading amplitude for the  $k$ -th user with  $n$ -th channel,  $\beta_{k,n}$ , are assumed as an r.v. (random variable) with Nakagami- $m$  distributed and given as [15]

$$f(\beta) = \frac{2\beta^{2m-1}}{\Gamma(m)} \cdot \left(\frac{m}{\Omega}\right)^m \cdot \exp\left(-\frac{m\beta^2}{\Omega}\right), \quad \beta \geq 0 \quad (8)$$

where  $\Gamma(\cdot)$  is the gamma function defined by  $\Gamma(x) = \int_0^\infty t^{x-1} e^{-t} dt$ ,  $\Omega = E[\beta^2]$  denotes the average power of the fading signal, the fading figure (parameter),  $m$ , of the amplitude distribution characterizes the severity of the fading, and it is defined as  $m = \Omega^2 / E[(\beta^2 - \Omega)^2] \geq 0.5$ . It is well known that  $m = 0.5$  (one-sided Gaussian fading) corresponds to worst case fading condition,  $m = 1$  and  $m = \infty$  correspond to Rayleigh fading (purely diffusive scattering) as well as the non-fading conditions, respectively.

A. Independent Sub-channels

First, if propagation channels are assumed as *i. i. d.*, then by use of the variable changing, the variable  $\gamma$  is assigned as the fading power of the channel. The pdf of  $\gamma$  is given follows as a gamma distribution, can readily be obtained by the processing of random stochastic and expressed as

$$P_\gamma(\gamma) = \frac{\gamma^{m-1} e^{-\gamma/\Omega}}{\Gamma(m)\Omega^m} \quad (9)$$

where  $\gamma$  is considered as the instantaneous power of the fading amplitude, that is,  $\gamma = \beta^2$  is assumed.

B. Dependent Sub-channels

The power at the output of the MRC is a function of the sum of the squares of signal strengths, and is given as  $R = \sum_{i=0}^{N-1} \gamma_i$ , which is a r.v. represents the summation of the MRC output power. Hence applying the pdf results shown in [17], the pdf of the power at the output of a MRC receiver can be expressed as

$$f_R(\gamma) = \prod_{i=0}^{N-1} \left( \frac{\lambda_i}{\lambda_i} \right) \sum_{v=0}^{\infty} \frac{\mu_v \gamma^{mN+v-1} e^{-\gamma/\lambda_i}}{\lambda_i^{mN+v} \Gamma(mN+v)} \quad (10)$$

where the coefficients  $\mu_v$  can be obtained recursively by the following formula given as

$$\begin{cases} \mu_0 = 1 \\ \mu_{v+1} = \frac{m}{v+1} \sum_{i=1}^{v+1} \left[ \sum_{j=1}^N \left( 1 - \frac{\lambda_1}{\lambda_j} \right)^i \right] \mu_{v+1-i}, v = 0, 1, 2, \dots \end{cases} \quad (11)$$

where  $\lambda_1 = \min\{\lambda_i\}$ , and  $\lambda_i, i=0, K, N-1$  are the eigenvalues of the matrix  $\underline{Z} = \underline{X}\underline{Y}$ , where  $\underline{X}$  is a  $N \times N$  diagonal matrix with the entries of average power  $\Omega_i, i=0, \dots, N-1$ , where the subcarrier paths are considered dependent (correlated) each other, the entries of  $\Omega_i$  can be obtained by taking the minimum value of  $\Omega_i = \gamma_i/m_i$ . The matrix  $\underline{Y}$  is a  $N \times N$  positive definite matrix defined by

$$\underline{Y} = \begin{bmatrix} 1 & \rho_{12}^{1/2} & L & \rho_{1N}^{1/2} \\ \rho_{21}^{1/2} & 1 & L & \rho_{2N}^{1/2} \\ M & M & O & M \\ \rho_{N1}^{1/2} & L & L & 1 \end{bmatrix}_{N \times N} \quad (12)$$

where  $\rho_{ij}$  denotes the correlation coefficient between  $\gamma_i$  and  $\gamma_j, i \neq j, i, j = 1, 2, K, N$ , and  $\rho_{ij}$  can be expressed as

$$\rho_{ij} = \frac{Cov(\gamma_i, \gamma_j)}{[Var(\gamma_i) \cdot Var(\gamma_j)]^{1/2}}, 0 \leq \rho_{ij} \leq 1 \quad (13)$$

where  $Var(\cdot)$  and  $Cov(\cdot, \cdot)$  are the variance as well as the covariance operators, respectively.

C. Jpdf of Dependent Sub-Channels

It is known that only the phase shift induced by the fading channel without amplitude weighting will be modified in EGC (equal gain diversity) technique. Each subcarrier will modify its

phase shift by a factor of the combining coefficient,  $G_{k,n} @ H_{k,n}^* / |H_{k,n}|$ , where  $H_{k,n}$  is the channel impulse response of the  $n$ -th subcarrier of the  $k$ -th user. Thereafter, the pdf of the sum of the instantaneous signal amplitudes,  $\beta_{k,n}, n=0, \dots, N-1$ , at the output of EGC need to be calculated. Hence by means of the results shown in [18], the generalized jpdf (joint pdf) of  $B = \sum_{n=1}^N \beta_{k,n}$  with branch correlation can be written as

$$f_B(\beta_0, \beta_1, L, \beta_{L-1}) = \prod_{n=0}^{N-1} f_\beta(\beta_n) \cdot \sum_{h=0}^{\infty} \frac{(m/2)_h}{h!} \times \left\{ \sum_{i < j} V_{i,j} \left[ \frac{L(\beta_i, m)}{m} \cdot \frac{L(\beta_j, m)}{m} \right] + L + V_{0,1L, \dots, (N-1)} \left[ \frac{L(\beta_0, m)_L}{m} \cdot \frac{L(\beta_{(N-1)}, m)}{m} \right] \right\}^h \quad (14)$$

where the term  $V_{0,1L, \dots, (N-1)}$  is used to measure the correlation among the diversity branches, and  $C_X$  is the determinant of the covariance matrix.

IV. BER ANALYSIS

The probability of error conditioned on the instantaneous SNR can be expressed as  $P_e(S) = 0.5Q(\sqrt{2\sigma_0 S})$ , where the incomplete gamma function is defined as  $\Gamma(z, t) = \int_t^\infty x^{z-1} e^{-x} dx$ , and the symbols  $\sigma_0 S$  is viewed as the SNR at the output of the combiner, where  $\sigma_0 S$  will be replaced with  $\sigma_0^{MRC} S^{MRC}$  and  $\sigma_0^{EGC} S^{EGC}$  for distinguishing between MRC and EGC diversity cases. As the condition is that  $S$  is a deterministic variable, the previous equation can be defined as the conditional error probability. In order to determine the received instantaneously SNR, which conditioned on  $\gamma_{0,n} = \beta_{0,n}^2$ , at output of the MRC receiver, by adopting the square of (5) and putting the results into SNR formula, then it can be calculated as (See APPENDIX A)

$$\frac{(U_S^{MRC})^2}{\sigma_T^2} = \frac{P}{2N} \sum_{n=0}^{N-1} \beta_{0,n}^2 \quad (15)$$

where  $\sigma_{I_{MAI}}^2$  is the variance of  $I_{MAI}$ , which is shown in (7). In the limiting case of large  $N$  values and by the methods of CLT (central limit theorem), the MAI term in (8) can be approximated by a Gaussian r.v. with zero mean and the variance,  $\sigma_{I_{MAI}}^2$ , can be determined as [10]

$$\sigma_{I_{MAI}}^2 = E[I_{MAI}^2] = \frac{P}{4} (K-1) \Omega_{k,n} \quad (16)$$

where  $\Omega_{k,n} = E[\beta_{k,n}^2]$ ,  $E[\cos^2 \bar{\theta}_{k,n}] = 1/2$ . On the other hand, the background noise term  $\eta_0$  is a random variable with zero mean and the variance can be calculated as

$$\sigma_{\eta_0}^2 = E[\eta_0^2] = \frac{NN_0}{4T_b} \beta_{0,n}^2 \quad (17)$$

The received SNR at the output of the receiver can be obtained by substituting (16) and (17) into the SNR formula and can be expressed as

$$\frac{(U_S^{MRC})^2}{\sigma_T^2} = \frac{\sigma_0^{MRC} \cdot S^{MRC}}{2N} \quad (18)$$

where  $S^{MRC} = \sum_{n=0}^{N-1} \beta_{0,n}^2 / \Omega_{k,n}$ , and

$$\sigma_0^{MRC} = \left( \frac{NN_0}{4PT_b\Omega_{k,n}} + \frac{K-1}{4} \right)^{-1} = \left( \frac{N}{4\gamma_0} + \frac{K-1}{4} \right)^{-1} \quad (19)$$

where  $\gamma_0 = PT_b\Omega_{k,n}/N_0 = E_b\Omega_{k,n}/N_0$  is the SNR of each received bit, and  $E_b = PT_b$  denotes the bit energy, where  $P$  is the power of each bit same as that of shown in (1). It is known that the decision variable in (4) has a Gaussian distribution conditioned on the dependent sub-channels and independent Sub-channels power  $\beta_{0,n}^2$ . The AWGN,  $\eta_0$ , and the MAI,  $\eta_{MAI}$ , are mutually independent. Therefore, the calculation of probability of error for an MC-CDMA system with MRC diversity and by means of BPSK modulation scheme conditioned on the instantaneously SNR as given in (18), can be evaluated with two different situations as follows.

A. BER Analysis over Independent Sub-Channels

We adopt an alternative expression for the Gaussian Q-function, and expressed as

$$Q(t) = \frac{1}{\pi} \int_0^{\frac{\pi}{2}} e^{-\frac{t^2}{2\sin^2\phi}} d\phi, \quad t \geq 0 \quad (20)$$

and the random variables  $\{\gamma_i, i = 0, 1, K, N-1\}$  are assumed to be independent in this uncorrelated channels case. Such that the equation (17) can be expressed as [22]

$$P_e^{MRC}(s) = \frac{1}{\pi} \int_0^{\frac{\pi}{2}} \prod_{n=1}^N J_{0,n}(\Omega_{0,n}, \phi) d\phi \quad (21)$$

where the term  $J_{0,n}(\Omega_{0,n}, \phi)$  stands for an integral function, can be determined as (see APPENDIX B)

$$J_{0,n}(\Omega_{0,n}, \phi) = \int_0^\infty e^{-\frac{\gamma_{0,n}}{\sin^2\phi}} P_\gamma(\gamma_{0,n}) d\gamma_{0,n} = \left( \frac{m}{\Omega_{0,n}} \right)^m \left( \frac{1}{\sin^2\phi} + \frac{m}{\Omega_{0,n}} \right)^{-m} \quad (22)$$

where  $\Omega_{0,n}$  indicates the average value of SNR,  $\gamma_{0,n}$ . With the assumption of Nakagami- $m$  fading channels, it is known that the  $\gamma_{0,n}$  follows the gamma distribution as the expression shown in (9). All  $N$  subcarriers are assumed *i. i. d.*, and the average bit error probability,  $P_{(uncor)}^{MRC}$ , of uncorrelated-branch case, can be calculated by using of the simple form of a single integral with finite limits and obtained as

$$P_{(uncor)}^{MRC} = \frac{1}{\pi} \int_0^{\frac{\pi}{2}} [J_{0,n}(\Omega_{0,n}, \phi)]^N d\phi \quad (23)$$

B. BER Analysis over Dependent Sub-Channels

The condition of independent sub-channels are considered in this section, and the average bit error probability,  $P_{(cor)}^{MRC}$ , for correlated channel case can be calculated as

$$P_{(cor)}^{MRC} = 0.5 \prod_{n=1}^N \left( \frac{\lambda_1}{\lambda_n} \right)^m \sum_{v=0}^\infty \frac{\mu_v}{\lambda_1^{mN+v} \Gamma(mN+v)} \times \frac{\Gamma(mN+2)}{2\sqrt{\pi}(2mN+2v-1) \left( \sqrt{2\sigma_0^{MRC}}/2 \right)^{2mN+v-1}} \times {}_2F_1 \left( mN+v-\frac{1}{2}, mN+v; mN+v+\frac{1}{2}; \frac{-1}{2\lambda_1\sigma_0^{MRC}} \right) \quad (24)$$

where  $\mu_v$  is shown in (11), and the formula [22].

C. BER Analysis for MC-CDMA System Combining with EGC Diversity

The same procedures of section 4.1.2 will be followed as that is for the MRC diversity, the SNR can be obtained first as

$$\frac{(U_S^{EGC})^2}{\sigma_T^2} = \frac{\sigma_0^{EGC} \cdot S^{EGC}}{2N} \quad (25)$$

where

$$S^{EGC} = \left( \sum_{n=0}^{N-1} \beta_{0,n} \right)^2 / \Omega_{k,n} \quad (26)$$

, and

$$\sigma_0^{EGC} = \left( \frac{K-1}{4} + \frac{NN_0}{4E_b\Omega_{k,n}} \right)^{-1} = \left( \frac{K-1}{4} + \frac{N}{4\gamma_0} \right)^{-1} \quad (27)$$

where  $\gamma_0 = PT_b\Omega_{k,n}/N_0 = E_b\Omega_{k,n}/N_0$  is the SNR of each bit, and  $E_b = PT_b$  denotes the bit energy, where  $P$  is the power of each bit the same as shown in (1).

It is known that the decision variable in (4) has a Gaussian distribution conditioned on the uncorrelated and correlated channel power  $\beta_{0,n}^2$ , respectively, and the AWGN,  $\eta_0$ , the MAI, and the  $\eta_{MAI}$  are mutually independent.

The condition of correlated channels are considered in this section, and the average bit error probability for the correlated branch case can be calculated by averaging (14) and the SNR yield as

$$P_{(cor)}^{EGC} = \int_0^\infty L \int_0^\infty \frac{0.5}{\pi} \int_0^{\pi/2} d\varphi e^{-\frac{1}{2\sin^2\varphi} \frac{S\sigma_0}{N}} \times \int_{\beta_{0,0,L}, \beta_{0,n}} (\beta_{0,0,L}, \beta_{0,n}) \cdot d\beta_{0,0,L}, d\beta_{0,n} \quad (28)$$

Hereafter last formula involves  $N$ -folds integration and may be computed with the method given by Alouini and Goldsmith in [14]. Now, for the purpose of validating the accuracy a correlated dual-branch case will be illustrated as an example, where the average BER,  $P_{(cor)}^{EGC}$ , of an MC-CDMA system with EGC can be calculated as

$$P_{(cor)}^{EGC} = \int_0^{\pi/2} \frac{1}{\pi} \sum_{u=0}^\infty \left( \frac{m}{2} \right)_u \frac{\Gamma(u+m+1)}{\Gamma(m+1)} (V_{01})^k \left( 1 + \frac{\sigma_0^{EGC}/N}{2\sin^2\varphi} \right)^{-2m} \times \left[ {}_2F_1(-u, m; 1+m; \left( 1 + \frac{\sigma_0^{EGC}/N}{2\sin^2\varphi} \right)^{-1} \right]^2 \quad (29)$$

where  $(m)_u$  denotes the Pochhammer symbol.

### V. SIMULATION RESULTS

In Fig. 3 the results show the different BER performance plots figured out adopts different fading parameters,  $m=2$  and  $m=4$  and different subcarrier numbers,  $N=8, 16, 32$ . The results presented that the much more subcarrier number the better BER performance. The user number,  $K$ , versus BER for MC-CDMA system operate in uncorrelated fading channels is illustrated in Fig. 4, in which the  $SNR=5dB$  is assumed. The capacity of user number is limited both of the SNR and the subcarrier number. The results shown in Fig. 3 and Fig. 4 can be validated by the previously works as shown in [16], and the simulation results also presented. Simulation results (shown with little circle) are in excellent agreement with the theoretical curves (shown with solid lines).

The different correlation coefficients between the correlated channels are assumed to be  $\rho = 0.1, 0.4$ , and  $0.8$ , which are adopted from [16] (the values of  $\rho = 0.01, 0.16$ , and

$0.64$  are applied in [16], but the square root is the effective values for putting into the covariance matrix (12), the subcarrier number and the user number are assumed corresponding to 16 and 8 in Fig. 5. To calculate the BER, the mean power of the desired signal is assumed equal to the mean power of each interfering mobile unit. Base on the results shown in Fig. 6, we should know that the performance of BER will become degraded gradually by the increasing of the correlation coefficient,  $\rho$ , between the correlated channels. It is reasonable that the system performance BER becomes much better when the fading parameter is increasing. The performance of BER versus user number is shown in Fig. 4, in which the correlation coefficients are assumed as  $\rho = 0.4, 0.6$ , and  $0.8$ , the average bit SNR is set as 5dB [16]. From these figures it should be noted that the impact of channel correlation definitely affects the performance of MC-CDMA system.

Next the numerical results from (32) of the BER for MC-CDMA system with EGC schemes are presented. It is of interest to note that the correlation matrix followed by the linear array has a Toeplitz form The parameter  $d/\lambda$  is applied to determine the threshold level of correlation. In this numerical analysis, the assigned values of  $d/\lambda$  are 0, 0.1, 0.3, and  $\infty$ , in which  $d/\lambda = 0$  and  $d/\lambda \rightarrow \infty$  represent two extreme conditions, i.e., fully correlated and uncorrelated branches, respectively.

### VI. CONCLUSION

The SNR and user number versus probability error rate for MC-CDMA system with MRC and EGC receipt works in dependent and independent Nakagami- $m$  fading channels has been evaluated with numerical and simulation results in this paper. In this paper we avoid to applied characteristic function with the difficulty processing the r.v.. However, the results explicitly show that the phenomena of channel correlation do degrade the performance of MC-CDMA communication systems with whichever kinds of the linear diversity combining techniques are adopted. Besides, the different numbers of the sub-carrier are also adopted as the parameter for the purpose of comparison.

### APPENDIX A

The instantaneously SNR expressed in (21) is obtained by substituting (5), (19) and (20) into (18), thus yields as

$$\frac{(U_S^{MRC})^2}{\sigma_T^2} = \frac{P}{2N} \sum_{n=0}^{N-1} \beta_{0,n}^2 \frac{1}{\sigma_\eta^2 + \sigma_I^2}$$

$$\begin{aligned}
 &= \frac{\frac{P}{2N} \sum_{n=0}^{N-1} \beta_{0,n}^2}{\frac{NN_0}{4T_b} \beta_{0,n}^2 + \frac{P}{4}(k-1)\Omega_{k,n}} \\
 &= \frac{P \left( \frac{1}{2N} \sum_{n=0}^{N-1} \beta_{0,n}^2 \right)}{P \left( \frac{NN_0}{4PT_b} \beta_{0,n}^2 + \frac{(k-1)}{4} \Omega_{k,n} \right)} \\
 &= \frac{\frac{1}{2N} \sum_{n=0}^{N-1} \beta_{0,n}^2}{\Omega_{k,n} \left( \frac{NN_0}{4PT_b} + \frac{(k-1)}{4} \right)} = \frac{\sigma_0^{MRC} S^{MRC}}{2N}
 \end{aligned} \tag{A.1}$$

where  $S^{MRC}$ , and  $\sigma_0^{MRC}$  are defined in (22), and  $E_b = PT_b$

and

$$\gamma_0 = \frac{PT_b \Omega_{k,n}}{N_0} = \frac{E_b \Omega_{k,n}}{N_0} \tag{A.2}$$

APPENDIX B:

In this appendix the (25) will be derived. By substituting (9) into the first equivalent of (25), then the results can be obtained as

$$\begin{aligned}
 &J_{0,n}(\Omega_{0,n}, \varphi) \\
 &= \int_0^\infty e^{-\frac{\gamma_{0,n}}{\sin^2 \varphi}} P_\gamma(\gamma_{0,n}) d\gamma_{0,n} \\
 &= \int_0^\infty e^{-\frac{\gamma_{0,n}}{\sin^2 \varphi}} \frac{\gamma_{0,n}^{m-1} e^{-\gamma_{0,n}/\Omega_{0,n}}}{\Gamma(m)\Omega_{0,n}^m} d\gamma_{0,n} \\
 &= \int_0^\infty \frac{1}{\Gamma(m)\Omega^m} \exp \left[ -\gamma_{0,n} \left( \frac{1}{\sin^2 \varphi} + \frac{1}{\Omega_{0,n}^m} \right) \right] \\
 &= \left( \frac{m}{\Omega_{0,n}} \right)^m \left( \frac{1}{\sin^2 \varphi} + \frac{m}{\Omega_{0,n}} \right)^{-m}
 \end{aligned} \tag{B.1}$$

where the formula [22]

$$\int_0^\infty x^{\nu-1} \cdot e^{-\mu x} dx = \frac{\Gamma(\nu)}{\mu^\nu} \tag{B.2}$$

has been adopted in this calculation.

REFERENCES

- [1] Hanzo L, Yang L-L, Kuan E-L, Yen K. Single- and multi-carrier DS-CDMA, multi-user detection, space-time spreading, synch. and standards. John Wiley & Son Publisher; 2003.
- [2] Hara S, Prasad R. Overview of multicarrier CDMA. IEEE Commun. Mag 1997, pp. 126-133.
- [3] Price R, Green PE. A communication technique for multipath channels. Proceeding of the IRE 1958, vol. 46, pp. 555-570.
- [4] Yee N, Linnartz J.-P, Fettweis G. Multi-carrier CDMA in indoor wireless radio networks. IEICE Trans Commun 1994, vol. E77-B, pp. 900-904.
- [5] Sourour EA, Nakagawa M. Performance of orthogonal multicarrier CDMA in a multipath fading channel. IEEE Trans Commun 1996, vol. 44, pp. 356-367.
- [6] Kim T, Kim Y, Park J, Ko K, Choi S, Kang C, Hong D. Performance of an MC-CDMA system with frequency offsets in correlated fading. Proc. ICC 2000, pp. 1095-1099.
- [7] Park J, Kim J, Choi S, Cho N, D Hong. Performance of MC-CDMA systems in non-independent Rayleigh fading. Proc. ICC'99, pp. 506-510.
- [8] (Rock) Shi Q, Latva-aho M. Exact error floor for downlink MC-CDMA with maximal ratio combining in correlated Nakagami fading channels. Proc. 2002 International Zurich Seminar on Broadband Commun , pp. 37-1-37-5.
- [9] (Rock) Shi Q, Latva-aho M. Performance analysis of MC-CDMA in Rayleigh fading channels with correlated envelopes and phases. IEE proc. Commun 2003, vol. 150, pp. 214-220.
- [10] Li Z, Latva-aho M. Error probability for MC-CDMA in Nakagami-*m* fading channels using equal gain combining. Proc. ICC 2002, pp. 227-231.
- [11] Xu W, Milstein LB. Performance of multicarrier DS CDMA system in the presence of correlated fading. Proc. IEEE 47<sup>th</sup> Veh Techno Conference, 1997, pp. 2050-2054.
- [12] Chen Ji-Z. Performance evaluation of MC-DS-CDMA in Nakagami fading channels including partial band interference. Science and Technology 2005, vol.14, pp. 27-37.
- [13] Feng Y, Qin J. BER of MC-CDMA systems with MRC in correlated Nakagami-*m* fading. Electronics Letter, vol. 41, no. 19, Sep. 2005.
- [14] Li Z, Latva-aho M. Error probability of interleaved MC-CDMA systems with MRC receiver and correlated Nakagami-*m* fading channels. IEEE Trans. Commun 2005, vol. 53, pp. 919-923.
- [15] Nakagami M. The *m*-distribution-A general formula of intensity distribution of rapid fading", Statistic methods of in radio wave propagation; New York, Pergamon, 1960.
- [16] Alouini M-S, Abdi A, Kaveth M. Sum of Gamma variates and performance of wireless communication systems over Nakagami-fading channels. IEEE Trans Veh Technol 2001, vol. 50, pp. 1471-1480.
- [17] Moschopoulos PG. The distribution of the sum of independent Gamma random variables. Ann. Inst. Statist. Math. (Part A) 1985; 37:541-544.
- [18] Chen J. I. -Z. Performance evaluation of multiple-cell DS-CDMA systems over correlated Nakagami-*m* fading environments. Journal of Wireless Personal Commun. 2005, vol. 33, pp. 21-34.
- [21] Kondo S, Milstein LB. Performance of multicarrier DS CDMA systems", IEEE Trans Commun 1996, 44, pp. 238-246.
- [22] Gradshteyn IS, Ryzhik IM. Table of Integrals, series, and products, San Diego, CA: Academic Press, 5th Ed., 1994.

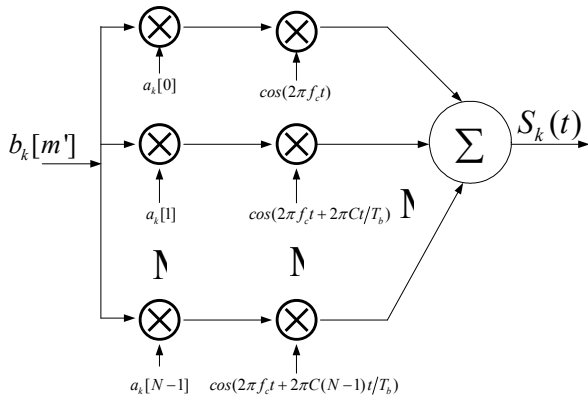


Fig. 1. The transmitter model of an MC-CDMA system.

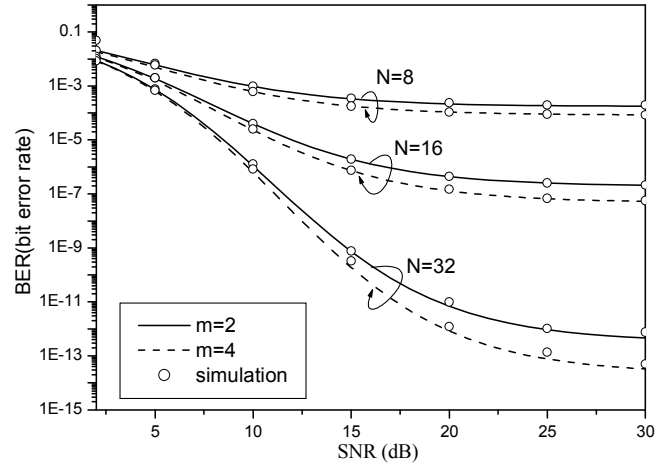


Fig. 3. The plot of SNR vs BER for MC-CDMA system with MRC in different subcarrier number and fading parameters over uncorrelated channels.

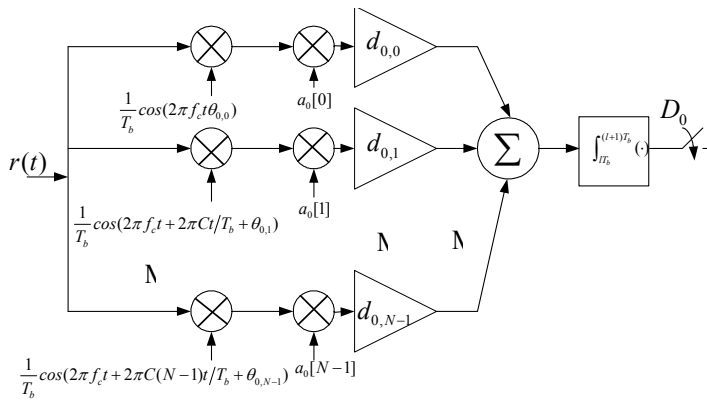


Fig. 2. The receiver model of an MC-CDMA system.

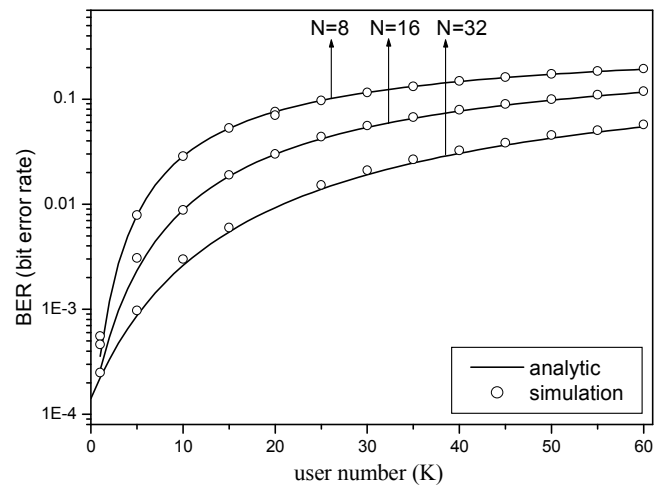


Fig. 4. The plot of user number vs BER for MC-CDMA system with MRC in different subcarrier number over uncorrelated channels.

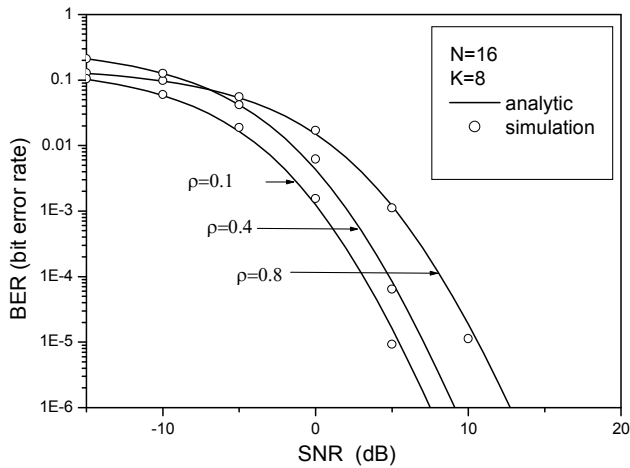


Fig. 5. The plot of SNR vs BER for MC-CDMA system with MRC in different correlation coefficients.

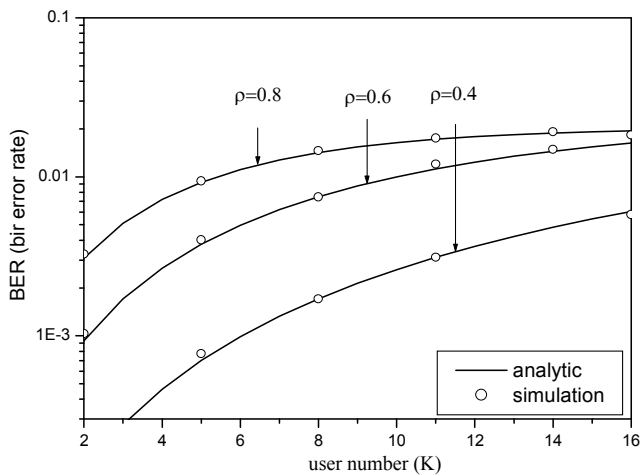


Fig. 6. The plot of user number vs BER for MC-CDMA system with MRC in different correlation coefficients.

**Joy I. Z. Chen** was born in Taiwan. He received his B.S. degree in electronic engineering from National Taiwan Technical University, Taipei, Taiwan, in 1985 ; M.S. degree in electrical engineering from DaYeh University, Chang Hua, Taiwan, in 1995; and the Ph. D. degree in electrical engineering from National Defense University, Tao-Yuan, Taiwan, in 2001. He is currently an associate professor in the Department of Communication Engineering at Da Yeh University, Chang-Hua Taiwan R.O.C. Prior to joining the Da Yeh University faculty, he worked at the Control Data Company (Taiwan) as a technical manger from Sep. 1985 to Sep. 1996. His research interests include wireless communications, communication theory, communication statistics, and technical spread spectrum.